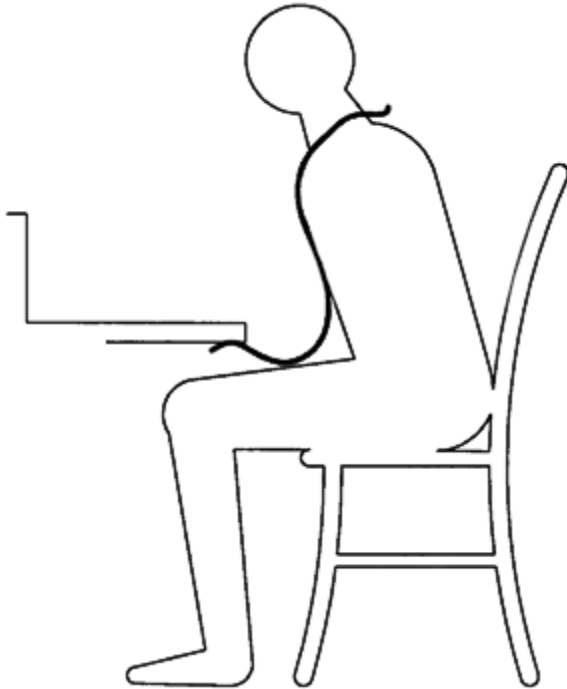
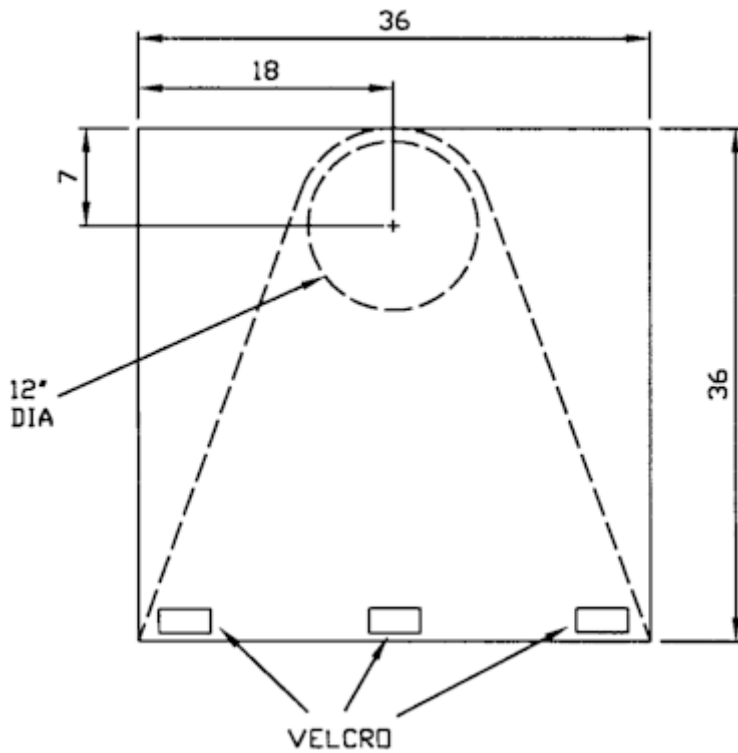


## Jeweler's Bib



**This handy little aid can save hours of frustration looking for dropped parts. It will also help protect against damage to fragile items or precision tools.**



**At left is the basic pattern for the bib. All that's needed is one square yard of material. We like to use black cloth because everything shows up so easy, but even a piece of an old bed sheet will work just fine. Simply cut a 1-foot diameter hole for your head and you're set. You can attach the wide bottom edge permanently to the underside of your workbench and just let it hang when not in use, or can get fancy and sew or glue on some Velcro tabs with the mates attached under the bench.**